

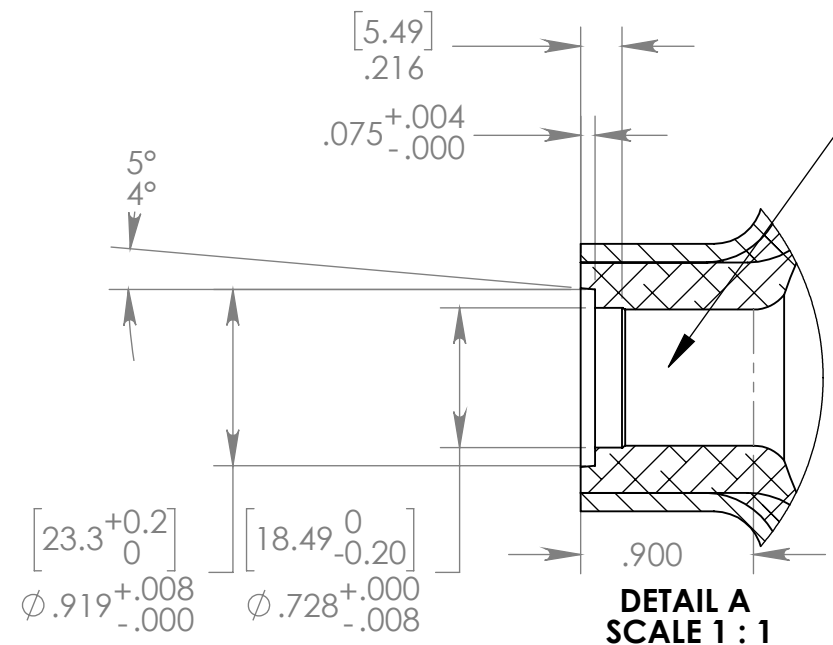
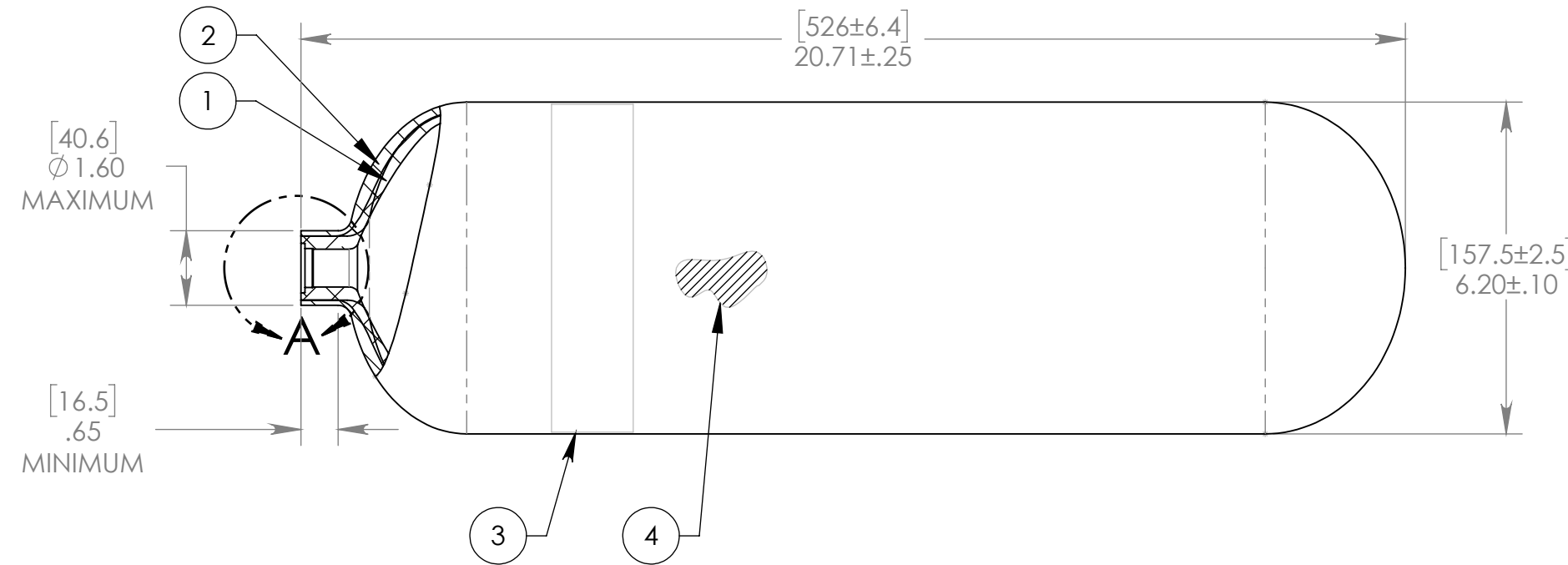
NOTES:

1. ALL DIMENSIONS SHOWN APPLY IN THE UNPRESSURIZED STATE AFTER HYDROSTATIC TEST.

2. SHOWN FOR EXAMPLE ONLY. REFER TO L67B SCD FOR CONFIGURATION-SPECIFIC DETAILS.

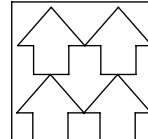
3. FIBERGLASS OVERWRAP APPLIED OVER LABEL(S) (ITEM 3), ONLY OVER CYLINDRICAL SECTION OF CYLINDER.

ITEM	DESCRIPTION
1	6.8L CARBON FULL WRAP LINER
2	CARBON REINFORCED EPOXY MATRIX
3	REGULATORY & COSMETIC LABEL(S)
4	FIBERGLASS REINFORCED EPOXY MATRIX



- 1. MINOR DIA. 16.676 - 16.376 MM
- 2. PITCH DIA. 17.216 - 17.026 MM
- 3. MAJOR DIA. 18.000 MM MIN.
- 4. MIN. # OF THREADS: 11

CYLINDER DATA	
STANDARD	ISO 11119-2:2012
CYLINDER LIFE	NLL
QUALIFICATION REPORT #	LUX-LR-20-625
CYLINDER PREFIX	AON
WEIGHT	9.04 LBS AVG (4.10 +/- 0.20 KG)
WATER VOLUME	415 CU.IN. (6.8 L) MIN
WORKING PRESSURE	4350 PSI (300 BAR)
MAXIMUM DEVELOPED PRESSURE	5525 PSI (381 BAR) - AIR
TEST PRESSURE	6525 PSI (450 BAR)
MIN. BURST PRESSURE	13050 PSI (900 BAR)
GAS CAPACITY	65 SCF (1.84 CU. M) OF AIR



## Luxfer® Gas Cylinders

RIVERSIDE, CA

DATE: 2-18-20	UNLESS OTHERWISE SPECIFIED: ANGULAR TOLERANCE ±1° DIMENSION ARE IN INCHES FRACTIONAL ± 1/16 MACHINED SURFACE 125	SIZE B
DRAWN BY: M AMEN	DECIMAL .X .XX .XXX ±.1 ±.03 ±.005 DO NOT SCALE DRAWING	
APPROVED:	PART DESCRIPTION: 6.8L NLL CARBON SCBA CYLINDER (ECLIPSE)	
SHEET: 1 OF 1	SCALE 1:3	CAGE CODE 59450
	PART / DRAWING NUMBER L67B	REV A

THIS DOCUMENT CONTAINS PROPRIETARY DATA OF LUXFER GAS CYLINDERS AND SHALL NOT BE USED OR DISCLOSED IN WHOLE OR IN PART TO DESIGN OR FABRICATE ANY PRODUCT FOR ANY PURPOSE, NOR REPRODUCED OR TRANSMITTED TO ANY OTHER ORGANIZATION WITHOUT THE EXPRESS PERMISSION OF LUXFER

REV	DESCRIPTION OF CHANGE	BY	DATE
A	DCN L67B-001	M. AMEN	6-4-20
NC	ORIGINAL	M. AMEN	2-18-20