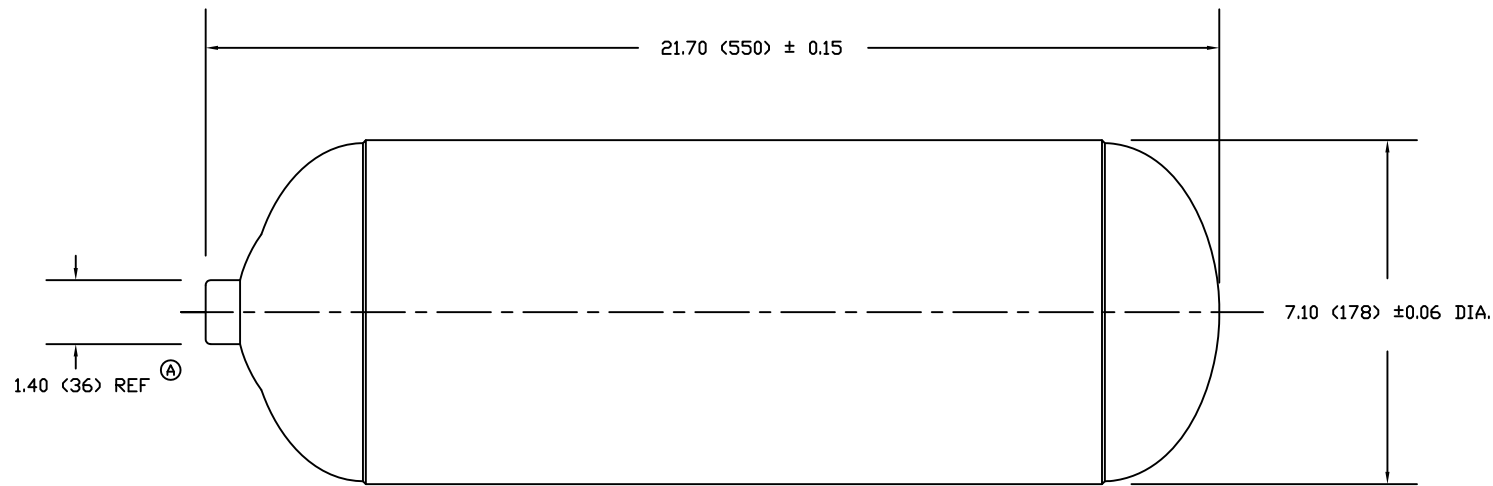


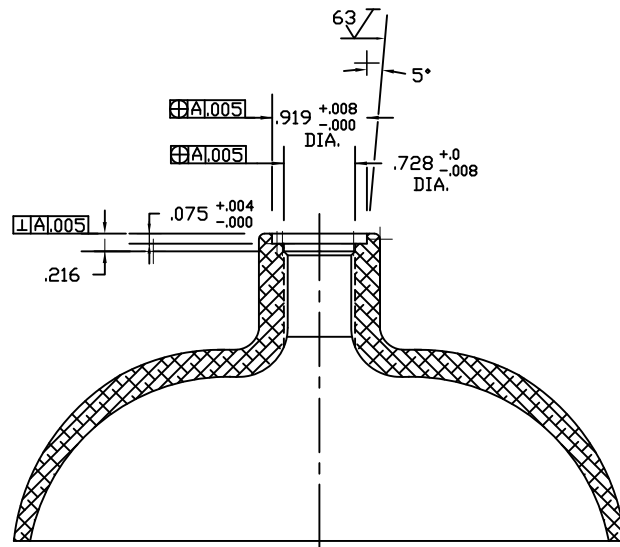
L87B  
LETTER ID: AEL



M18 X 1.5 TOL. CLASS 6H

1. MINOR DIA. 16.676 - 16.376 MM
2. PITCH DIA. 17.216 - 17.026 MM
3. MAJOR DIA. 18.000 MM MIN.
4. MINIMUM NO OF THREADS: 13

-A-



NOTES:

1. CYLINDER TO BE MANUFACTURED IN ACCORDANCE WITH ISO 11119-2 SPECIFICATION.
2. ALL DIMENSIONS SHOWN APPLY IN THE UNPRESSURIZED STATE AFTER THE TEST PRESSURE.
3. LINER MATERIAL: 6061-T6 ALUMINUM.
4. COMPOSITE MATERIAL: CARBON AND S-2 GLASS WITH EPOXY RESIN.
5. REFER TO THE L87B SCD'S FOR THE EXTERIOR DETAILS OF THE SPECIFIC CUSTOMER.
6. THE OUT-OF-ROUNDNESS OF THE CYLINDER SHALL NOT EXCEED 3% OF THE MEAN CYLINDER DIAMETER.
7. THE MAXIMUM DEVIATION OF THE CYLINDER FROM A STRAIGHT LINE SHALL NOT EXCEED 0.236 IN. (6 MM) PER 39.37 IN. (1 METRE) OF LENGTH.

CYLINDER DATA

CYLINDER WEIGHT	12.95 LBS (5.9 KG) MAX
WATER VOLUME	550 CU-IN (9.0 LITER) MIN.
SERVICE PRESSURE	4350 PSI (300 BAR).
TEST PRESSURE	6525 PSI (450 BAR).
MIN. BURST PRESS.	13050 PSI (900 BAR).
DESIGN LIFE	30 YEARS
VALVE TORQUE (MAX.)	AS PER EN ISO 13341

This document contains proprietary data of Luxfer Gas Cylinders and shall not be used or disclosed in whole or in part to design or fabricate any product for any purpose, nor reproduced or transmitted to any other organization without the express permission of Luxfer.



**LUXFER GAS CYLINDERS**  
COMPOSITE CYLINDER DIVISION  
Riverside, CA

DATE 11-13-07	ANGULAR ± 1° FRACTIONAL ± 1/16 DECIMAL .X .XX .XXX ±.1 ±.03 ±.005	125 FINISH UNLESS NOTED	COMPUTER FILE NAME L87B.DWG	SIZE C
DRAWN BY R. GARCIA	PART NAME & NUMBER 9L CARBON LIFE SUPPORT CYLINDER			
APPROVED	SCALE NONE	CAGE CODE 59450	DRAWING NUMBER L87B	REV. NC
SHEET 1 OF 1				

NC	ORIGINAL	RG	11-13-07
REF.	CHANGE	BY	DATE